

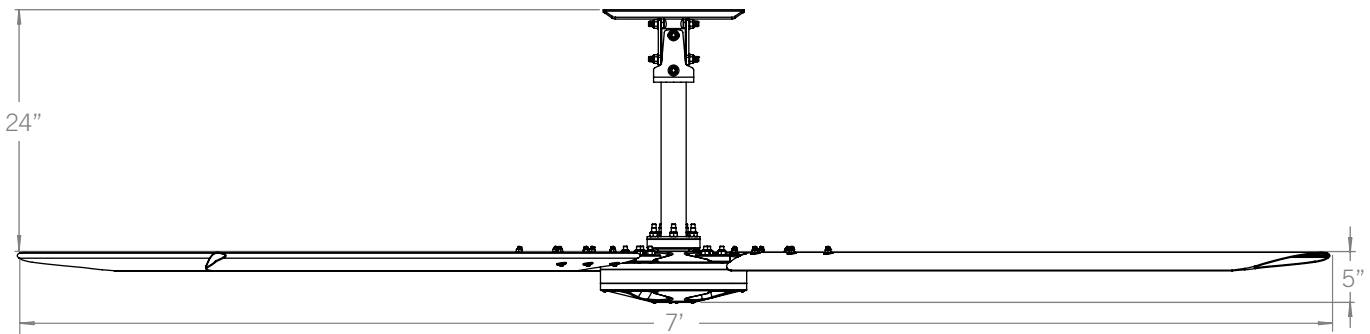


POWER & EFFICIENCY

INPUT POWER OPTIONS	AC 1PH 100-120V 50/60Hz
CURRENT AT MAX SPEED (Amp)	5.5 A @ 120v
POWER (hp)	5/8 HP BLDC Motor
MAXIMUM SPEED (RPM)	200 RPM
MAX AFFECTED AREA	35 ft Dia 1,225 sqft

DIMENSIONS & WEIGHT

FAN DIAMETER	7 ft (2.1m)
FAN WEIGHT	100lbs (45.5 kg)



MOUNTING & SAFETY

MOUNTING OPTIONS	I-beam Direct Mount
DOWNROD	2' Rigid Mount Downrod
SAFETY FEATURES	Fan Retention System Airfoil Retention System Fire Relay

IN THE BOX

INCLUDED	Rigid Mount with pre-wired downrod Control Panel Install Manual Airfoils Mounting Hardware Kit Communication Kit
OPTIONAL	3' and 4' Rigid Mount downrod Additional Control Cable Lengths Glulam brackets 350, 500, 700E Series Controller Environmental Control Solutions

WARRANTY & CERTIFICATIONS

CERTIFICATIONS	ETL/Intertek-certified to ANSI/UL 507 and CSA C22.2 No. 113 in North America "AMCA" Certified
WARRANTY ¹	Limited Lifetime Warranty

¹See complete warranty for details.

